



## Balconies/Custom Wetcast

- Prestressed or standard reinforced custom products
- Angled or curved options
- Cantilevered design





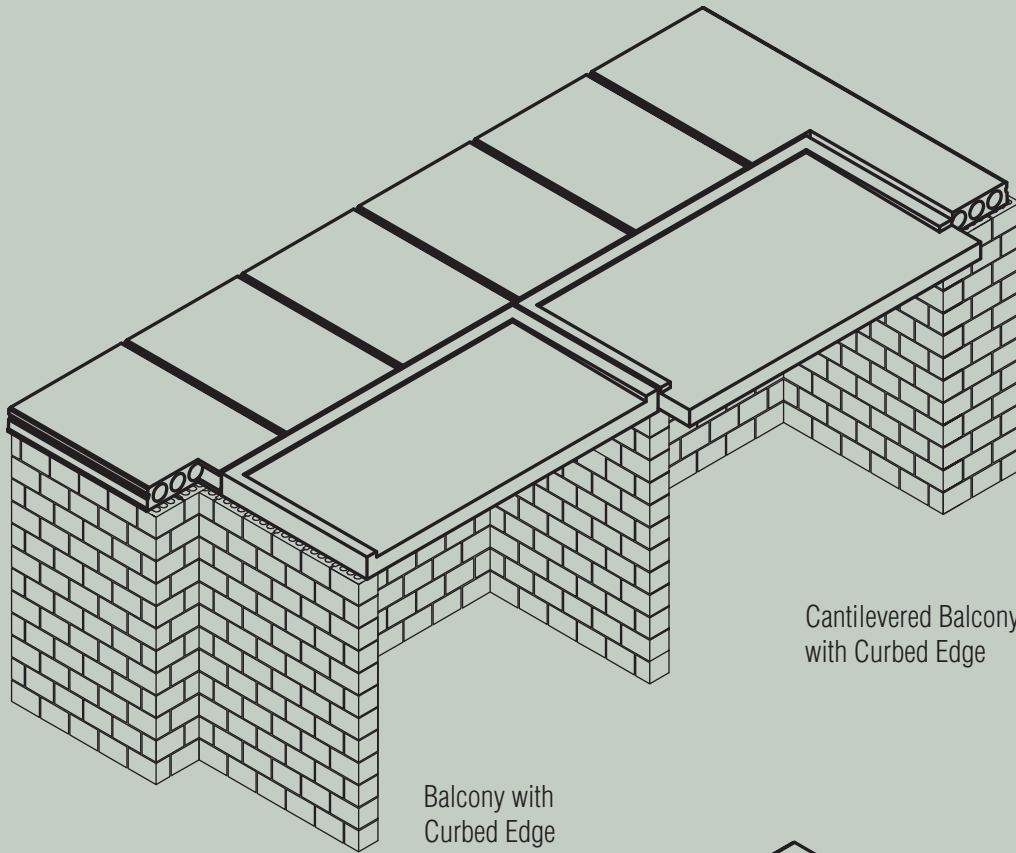
## Balconies/Custom Wetcast

- Sloped surface and drip edge for drainage
- All around finished appearance
- Cast in plates for structural connections or handrail detail





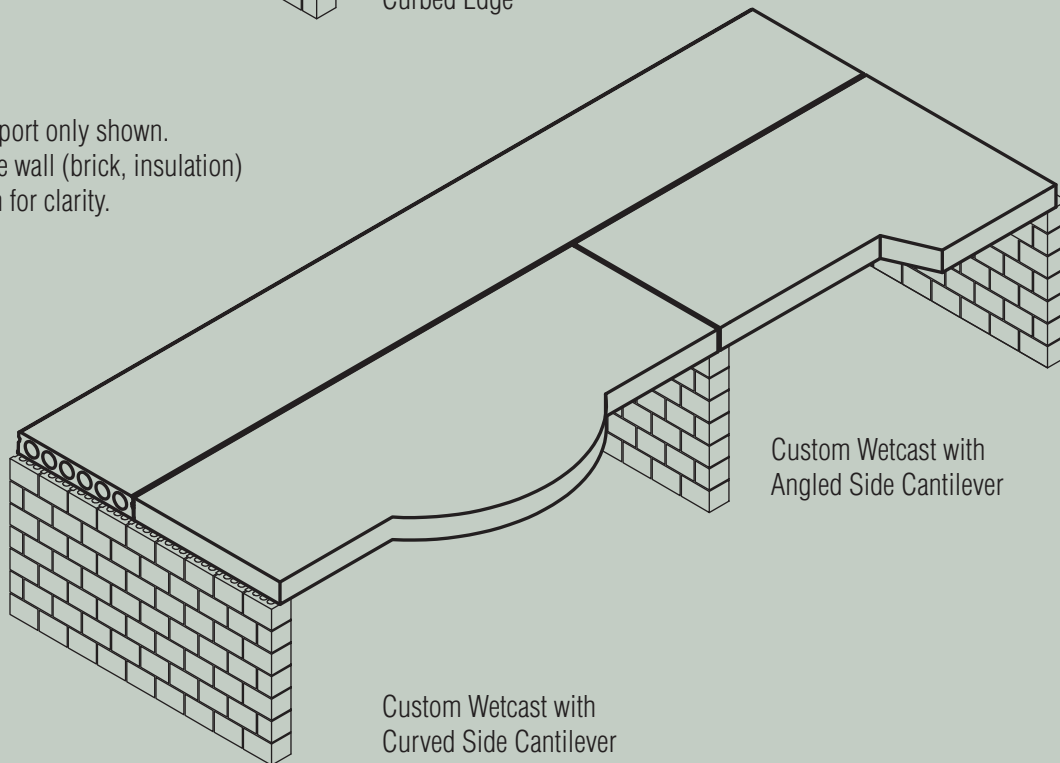
# Balcony and Custom Wetcast Unit Plans



Cantilevered Balcony with Curbed Edge

Balcony with Curbed Edge

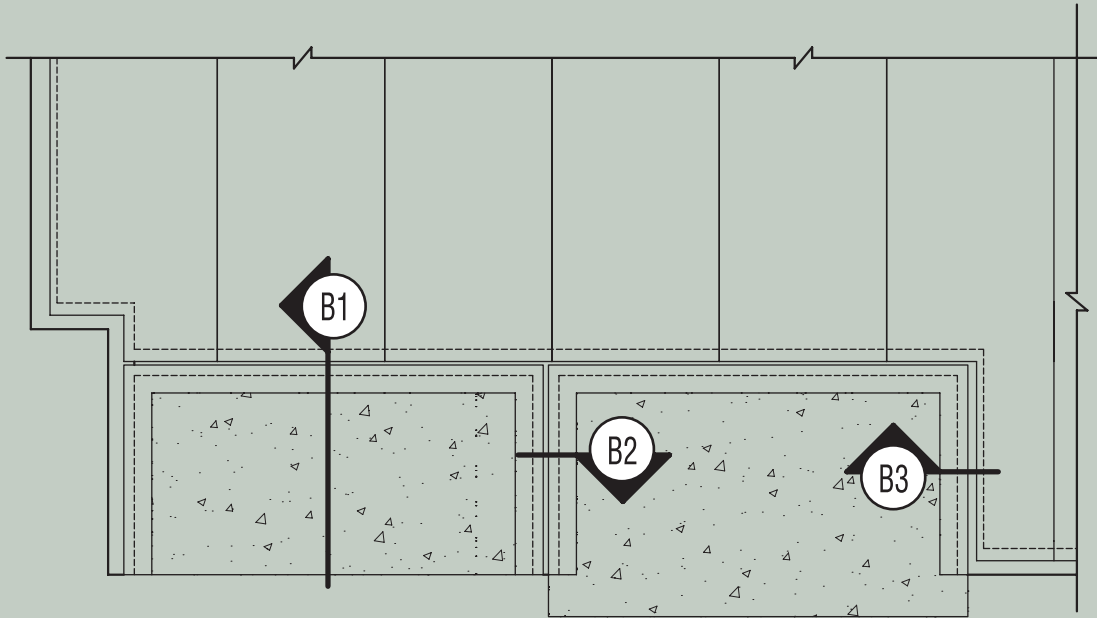
Block support only shown.  
Composite wall (brick, insulation)  
not shown for clarity.



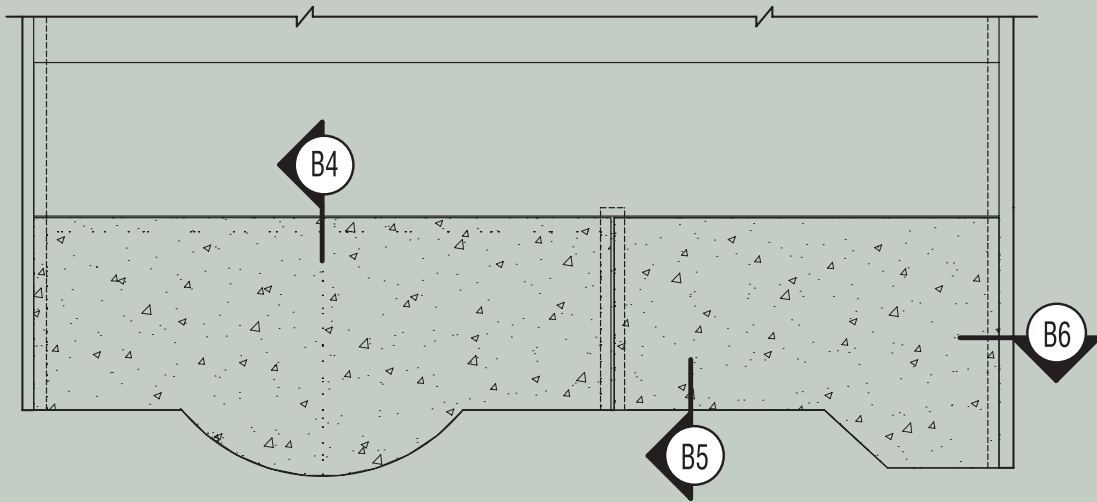
Custom Wetcast with Angled Side Cantilever

Custom Wetcast with Curved Side Cantilever

# Balcony and Custom Wetcast Unit Plans



**BALC** Balcony with Curbed Edge      **BALC** Cantilevered Balcony with Curbed Edge



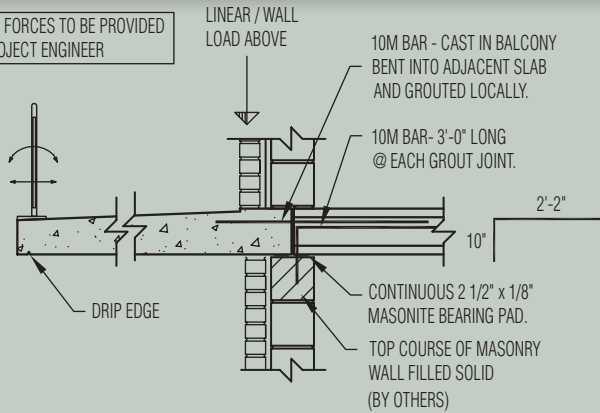
Block support only shown.  
Composite wall (brick insulation)  
not shown for clarity

**BALC** Custom Wetcast with Curved Side Cantilever      **BALC** Custom Wetcast with Angled Side Cantilevered



# Balcony and Custom Wetcast Unit Plans

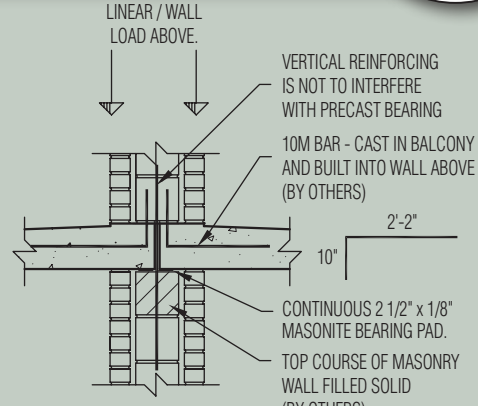
NOTE: FORCES TO BE PROVIDED BY PROJECT ENGINEER



NOTE: MIN 3 1/2" END BEARING

**B1**

Balcony and Hollowcore at Bearing Wall

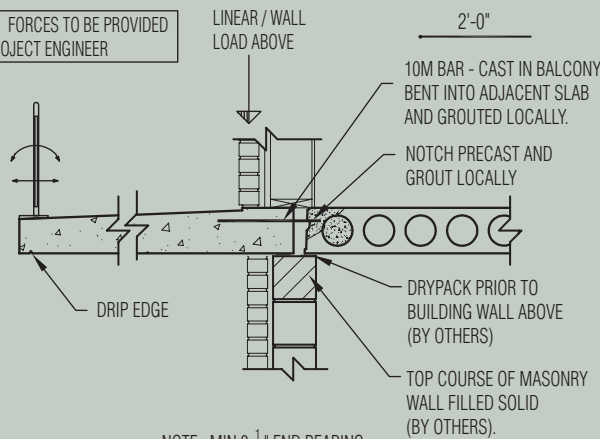


NOTE: MIN 3 1/2" END BEARING

**B2**

Balcony to Balcony Cross Section

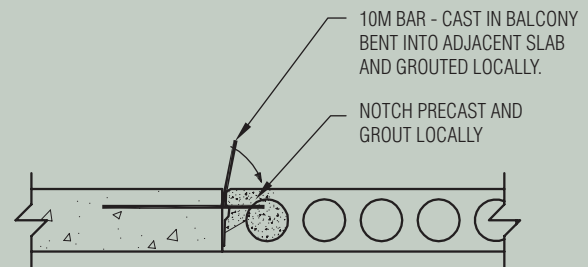
NOTE: FORCES TO BE PROVIDED BY PROJECT ENGINEER



NOTE: MIN 3 1/2" END BEARING

**B3**

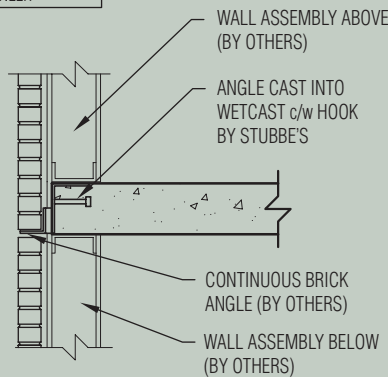
Balcony and Hollowcore at Side Bearing Wall



**B4**

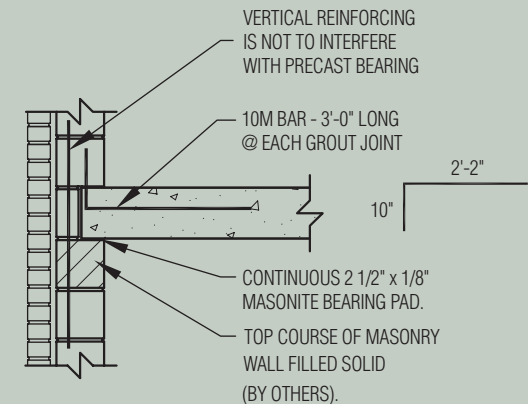
Custom Wetcast Connection to Hollowcore

NOTE: FORCES TO BE PROVIDED BY PROJECT ENGINEER



**B5**

Custom Wetcast with Cast in Plate at Non Structural Wall



NOTE: MIN 3 1/2" END BEARING

**B6**

Custom Wetcast at Bearing Wall